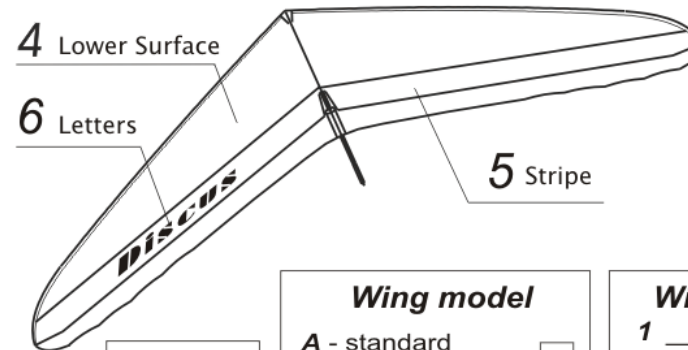
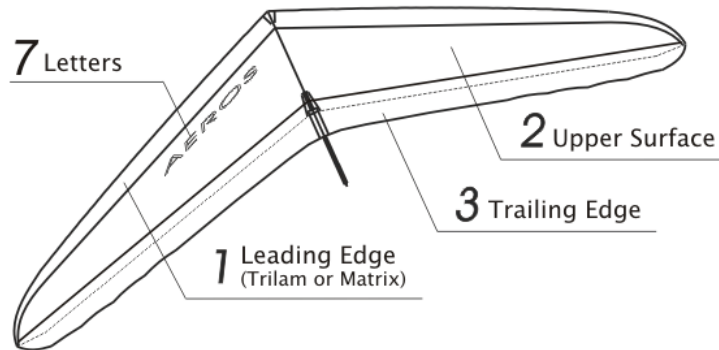


Discus

AEROS



Main data

	Discus 12	Discus 13	Discus 14	Discus 15
Sail area, sq.m. (sq.ft.)	11.6 (125)	12.8 (138)	13.7 (147.5)	14.7 (158)
Wing span, m (ft.)	9.2 (30)	9.6 (31.5)	10 (32.8)	10.3 (33.8)
Aspect ratio	7.3	7.2	7.3	7.2
Nose angle, °	125-128	125-128	125-128	125-128
Pilot clip weight optim., kg (lb)	65 (143)	75 (165)	85 (187)	95 (209)
Weight (without bags), kg (lb) *	25 (55)	30 (66)	31 (68)	33 (73)
Number of upper sail battens	18	20	20	20
Number of bottom sail battens	4	4	4	4
Breakdown length, m (ft) *	4.7/3.8	4.9/3.94 (16.1/12.9)	5.1/4.1 (16.7/13.4)	5.2/4.2 (17/13.8)
Tested load, G	+6 / -3	+6 / -3	+6 / -3	+6 / -3
Wind speed max, m/sec (mph)	12 (27)	12 (27)	12 (27)	12 (27)
Min. airspeed, km/h (mph)	29-30 (18-19)	29-30 (18-19)	29-30 (18-19)	29-30 (18-19)
Max. airspeed, km/h (mph)	80 (50)	80 (50)	80 (50)	80 (50)
Min. clip-in weight, kg (lb)	50 (110)	65 (143)	75 (165)	85 (187)
Max. clip-in weight, kg (lb)	80 (177)	100 (220.5)	115 (254)	125 (276)

Dealer _____

Customer _____

Date _____

Notes _____

Wing size

12 13 14 15

Wing model

A - standard (basic version) B - 2m-breakable, (short pack version) M - motorized, (version for power flight)

Wing colors

1 _____

2 _____

3 White only

4 _____

5 _____

6 _____

7 _____

1	Polyant Trilam 210Gitter G (except Discus 12)	Clear - 0100, White - 0150, Black - 0200,	Fluor Pink - 0331, Fluor Orange - 0403, Fluor Yellow - 0551, Blue - 0703,
	Matrix:	Polyant PX10T (for Discus14, 15) Bainbridge Diax PP60P (for Discus12, 13)	
3	Polyant Square HTP 180		
2 4 5	Polyant Dacron 170 Color MT	White - 0000, Black - 2100, Grey - 2328, Hot Red -3105, Red - 3125,	Purple - 3838, Yellow - 5076, Green - 6047, Mint - 6223, Dark Blue -7352,
6 7	Insignia Cloth	Black, Red, Dark Blue	
		Fluor Pink - 3569, Fluor Orange - 4197, Fluor Yellow - 5280, Fluor Green - 6094, Lavender - 7924	

[WWW.AEROS.COM.UA](http://www.aeros.com.ua)AEROS Ltd., Post-Volynskaya str., 5, 03061, Kiev, Ukraine, phone: (+38 044) 4554120, fax: (+38 044) 4554116, e-mail: aerosint@aerosint.kiev.ua